

4

3

2

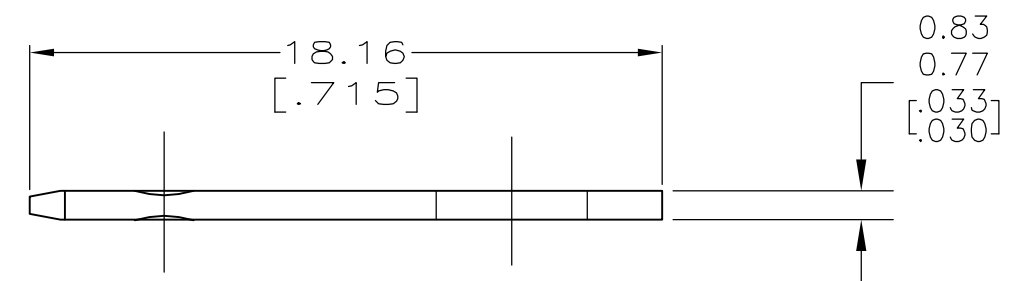
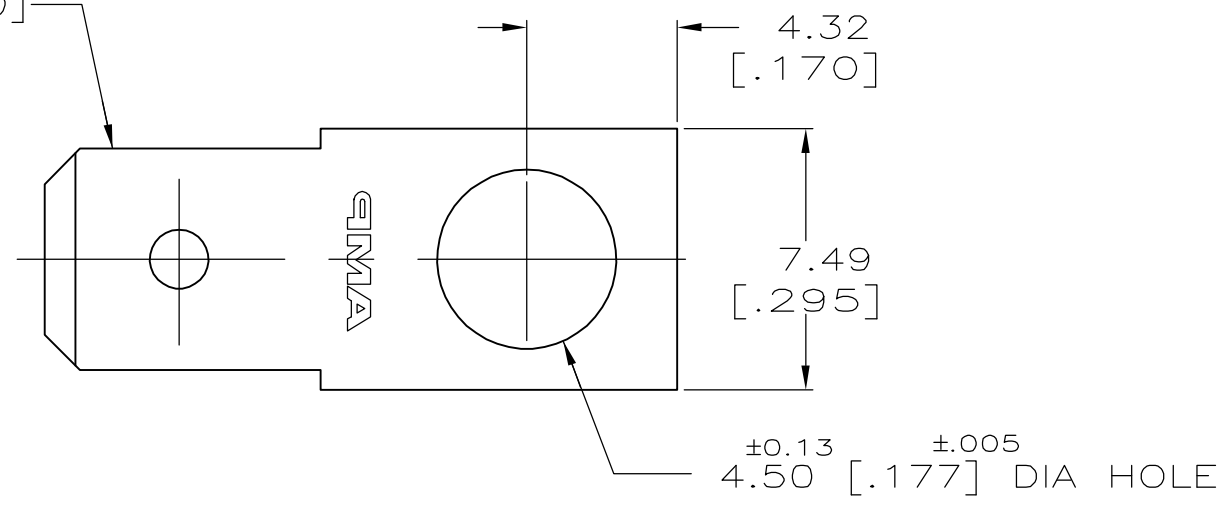
1

THIS DRAWING IS UNPUBLISHED. RELEASED FOR PUBLICATION - , - .
 © COPYRIGHT - BY TYCO ELECTRONICS CORPORATION. ALL RIGHTS RESERVED.

LOC	DIST	REVISIONS					
AF	50	P	LTR	DESCRIPTION	DATE	DWN	APVD
			F	REV PER ECR-05-017287	10APRO6	HMR	JR

1 SUPPLIED IN LOOSE PIECE.
 2 PRELIMINARY — NOT FOR PRODUCTION

FITS 6.35 [.250]
 SERIES FASTON
 RECEPTACLE



BRIGHT DIP CLEAN	2 63038-3
NONE	63038-2
TIN 0.002032 [.000080] MIN	63038-1
FINISH	PART NO.

THIS DRAWING IS A CONTROLLED DOCUMENT.		DWN	JR RUTH	11/12/91	 Tyco Electronics Corporation Harrisburg, PA 17105-3608
DIMENSIONS: mm [INCHES]		CHK	MS FEHER	11/12/91	
		APVD	R KUZO	11/12/91	
TOLERANCES UNLESS OTHERWISE SPECIFIED:		PRODUCT SPEC		NAME	
0 PLC ± - 1 PLC ± - 2 PLC ± 0.25 [.010] 3 PLC ± - 4 PLC ± - ANGLES ± -		APPLICATION SPEC		TAB, FASTON, 6.35 [.250] SERIES	
MATERIAL	082 BRASS	FINISH	SEE TABLE	WEIGHT	-
		CUSTOMER DRAWING		SIZE	A3
				CAGE CODE	00779
				DRAWING NO	C-63038
				RESTRICTED TO	-
				SCALE	5:1
				SHEET	1 of 1
				REV	F